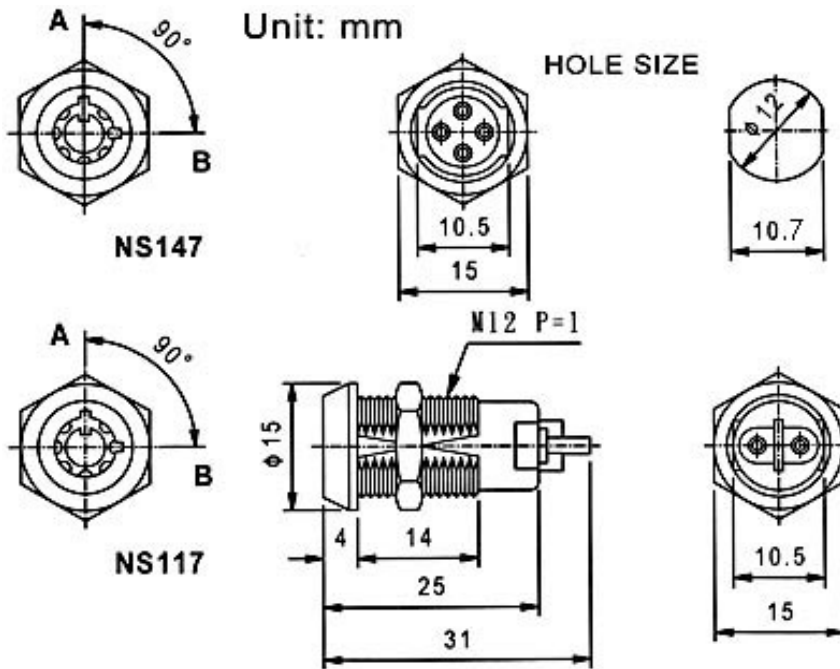


# NS117

## MICRO SWITCH LOCK



### DESCRIPTION:

- Zinc alloy die cast housing and cylinder.
- Bright chrome plated standard.
- 7 pin tumbler mechanism.
- Zinc alloy tubular keys, chrome plated.,with plastic cover.
- Key withdrawals in both positions only.
- Silver plated contacts and terminals.
- 2 position (off-on) 2 terminals.
- Hex nut mounted.
- All keyed alike or one combination per 100pcs standard.
- 5000 combinations available.

### KEY-PULL FIGURES :

- -Off Position
- -Indicates Key-Pull
- -Indicates No Key-Pull

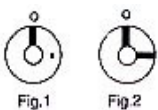


Fig. No.	Lock Number	Pole	Positions	Terminals	Key Pulls	Turn	⤴	⤵	Type
1	NS117-1	1	2	2	1	90°	Off	On	SPST
2	NS117-2	1	2	2	2	90°	Off	On	SPST